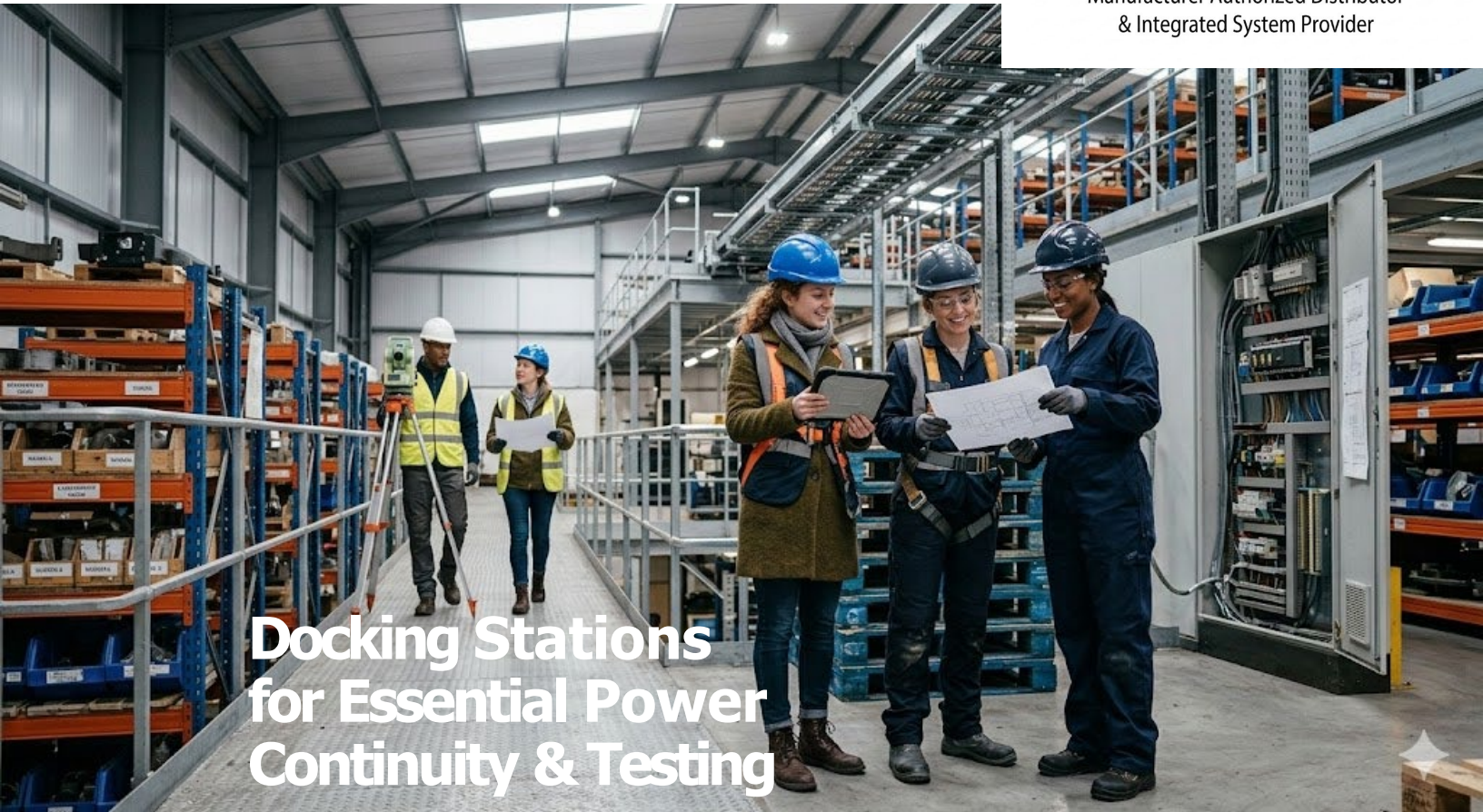


# P-MTS DOCKING STATIONS

**100-1200 AMPS**



**ABSOLUTE DOMINION POWER**  
Manufacturer Authorized Distributor  
& Integrated System Provider



## Docking Stations for Essential Power Continuity & Testing

### **Manual Transfer Switch Docking Stations**

*(100 - 1200 AMP)*

ADP's Manual Transfer Switch (MTS) Docking Station is a comprehensive, all-in-one solution that integrates a manual transfer switch with a docking station, facilitating safe and efficient transitions between utility power and temporary generators.

Designed to meet NEC and UL standards, this system simplifies power transfer processes, reduces installation complexity, and ensures operational safety in mission-critical environments. Ideal for facilities where manual control over power switching is preferred, the P-MTS Docking Station offers enhanced flexibility and reliability during power disruptions.



### **Manual Transfer Switch Docking Stations**

*100 - 1200 Amp*



[Sales@adp-hq.com](mailto:Sales@adp-hq.com)  
[Kory@adp-hq.com](mailto:Kory@adp-hq.com)  
832-292-6696  
1820 Red Bluff Rd, Ste A  
Pasadena, Tx 77506

# P-MTS DOCKING STATIONS

**100-1200 AMPS**



**ABSOLUTE DOMINION POWER**

Manufacturer Authorized Distributor  
& Integrated System Provider

## Benefits

ADP'S P-MTS Docking Station delivers reliable, cost-effective backup power with enhanced control and durability.

- **Cost Effective Backup Power Solution:** By eliminating automated switching mechanisms, ADP'S P-MTS Docking Station offers a budget-friendly alternative to automatic transfer switches. This reduction in complexity not only lowers initial investment costs but also minimizes maintenance expenses over the system's lifespan.
- **Enhanced Operational Control:** The manual operation of the transfer switch empowers facility managers to oversee power transitions directly, allowing for thorough inspections and informed decision-making before switching power sources. This hands-on approach ensures that transfers are conducted smoothly and safely, tailored to the facility's specific needs.
- **Durable and Low Maintenance Design:** Constructed with robust materials and featuring fewer electrical components than automatic systems, the P-MTS Docking Station is engineered for durability. Its simplified design reduces potential failure points, making it particularly suitable for harsh environments and remote locations where reliability is paramount.

## Key Features

- Rotary Manual Transfer Switch
- Up to 600Y/347V @ 60Hz, 1200A, and 65kAIC Interrupting Capacity
- Single-purpose and dual-purpose docking station configurations and integrated breaker isolation and overcurrent protection. Service Entrance Rated (SER) options available
- No breaker configuration available for systems with protection external to the docking station
- Industry-standard 16 Series temporary camlock connections with patented, flip-lid covers
- Features a patented tamper-resistant rake system to prevent cable theft and unauthorized disconnection
- IBC seismic certification, with wind ratings up to 180MPH for wall-mount enclosures
- Fully compliant with UL 1008 and NEC 700.3(F) standards. NEC 702.12C compliant with safety interlock door added

## Applications

P-MTS Docking Stations are used at facilities that require manual power transfer solutions typically balance the need for reliable backup power with operational flexibility and cost considerations such as:

- Municipal and Government Buildings
- Business and Office Centers
- Multi-family or Retirement Communities
- Retail Store and Shopping Centers
- Educational Institutes and Campus Facilities
- Industrial and Manufacturing Sites

## Available Options

- Breaker Options Including:
  - 3 or 4 Pole
  - 100% Ground Rated Conductor Option
  - ETU's - Electronic Trip Units
  - Long, Short, Instantaneous Ground Tripping (LSIG)
  - Communications Capability
- Enclosure Options:
  - NEMA 3R or 4X & UL50
  - Mild Steel or Aluminum, or 304/316 Stainless Steel for Superior Environmental Protection
  - Wall Mount, Flush Mount, Pedestal Mount (optional leg kit) or Pad Mount Options Available
- 20+ Accessory Options Including:
  - Phase Rotation Monitor
  - Kirk-Key Mechanical Interlocks
  - SCADA Port
  - 2 or 3 Wire Auto Start Connections
  - Thermostat and Strip Heater
  - Shore Power Connections - 30A & 20A Receptacles
  - Utility Indicator Light
  - Load Shed Receptacle



[Sales@adp-hq.com](mailto:Sales@adp-hq.com)

[Kory@adp-hq.com](mailto:Kory@adp-hq.com)

832-292-6696

1820 Red Bluff Rd, Ste A  
Pasadena, Tx 77506

# AUTOMATIC TRANSFER SWITCH

NEC 700.3



**ABSOLUTE DOMINION POWER**

Manufacturer Authorized Distributor  
& Integrated System Provider

**ADP's** Generator Docking Stations quickly and safely connect a portable energy source to any business or public building, protecting you from an expensive and potentially dangerous power outage. Built with the installing electrical contractor in mind, our unique design helps prevent theft and hazardous disconnects.



READ THE EXCERPT BELOW TO LEARN HOW RECENT CHANGES TO THE NEC CODE MAY AFFECT YOUR BUSINESS AND LEARN HOW WE CAN HELP.

## CODE LANGUAGE: 700.3 TESTS AND MAINTENANCE

(F) TEMPORARY SOURCE OF POWER FOR MAINTENANCE OR REPAIR OF THE ALTERNATE SOURCE OF POWER.

If the emergency system relies on a single alternate source of power, which will be disabled for maintenance or repair, the emergency system shall include permanent switching means to connect a portable or temporary alternate source of power, which shall be available for the duration of the maintenance or repair. The permanent switching means to connect a portable or temporary alternate source of power shall comply with the following:

1. Connection to the portable or temporary alternate source of power shall not require modification of the permanent system wiring.
2. Transfer of power between the normal power source and the emergency power source shall be in accordance with 700.12.
3. The connection point for the portable or temporary alternate source shall be marked with the phase rotation and system bonding requirements.
4. Mechanical or electrical interlocking shall prevent inadvertent interconnection of powersources.
5. The switching means shall include a contact point that shall annunciate at a location remote from the generator or at another facility monitoring system to indicate that the permanent emergency source is disconnected from the emergency system.

It shall be permissible to utilize manual switching to switch from the permanent source of power to the portable or temporary alternate source of power and to utilize the switching means for connection of a load bank.

INFORMATIONAL NOTE : THERE ARE MANY POSSIBLE METHODS TO ACHIEVE THE REQUIREMENTS OF 700.3 (F). SEE FIGURE 700.3 (F) FOR ONE EXAMPLE. [CLICK HERE FOR AN IN-DEPTH EXPLANATION OF EACH POINT OF COMPLIANCE.](#)



DATA CENTER



RESTAURANT



STADIUM



HOSPITAL



GROCERY STORE



BANK/  
CREDIT UNION

[Sales@adp-hq.com](mailto:Sales@adp-hq.com)

[Kory@adp-hq.com](mailto:Kory@adp-hq.com)

832-292-6696

1820 Red Bluff Rd, Ste A  
Pasadena, Tx 77506

# AUTOMATIC TRANSFER SWITCH

NEC 700.3



**ABSOLUTE DOMINION POWER**

Manufacturer Authorized Distributor  
& Integrated System Provider

## TEMPORARY SOURCE OF POWER FOR MAINTENANCE OR REPAIR OF THE ALTERNATE SOURCE OF POWER

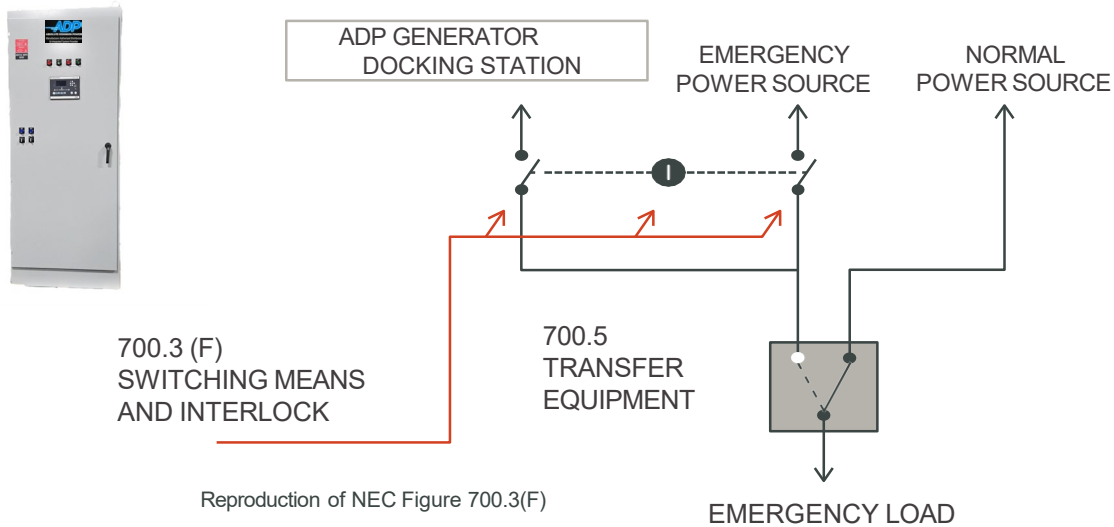


Figure 700.3(F) (See NEC and illustration provided at this change for complete figure)

Exception: The permanent switching means to connect a portable or temporary alternate source of power, for the duration of the maintenance or repair, shall not be required where any of the following conditions exists:

1. All processes that rely on the emergency system source are capable of being disabled during maintenance or repair of the emergency source of power.
2. The building or structure is unoccupied and fire suppression systems are fully functional and do not require an alternate power source.
3. Other temporary means can be substituted for the emergency system.
4. A permanent alternate emergency source, such as, but not limited to, a second on-site standby generator or separate electric utility service connection, capable of supporting the emergency system, exists.

The requirement of article 700 EMERGENCY SYSTEM applies to buildings such as: Hospitals and healthcare facilities, public safety communications, places of large assembly (including hotels, theaters, sports arenas, etc.) and industrial processes where the interruption of power would create serious health hazards.

FOR ASSISTANCE OR TO OBTAIN DRAWINGS OR ELECTRICAL ONE-LINES PLEASE CONTACT, ADP 832-292-6696 OR EMAIL US AT [Sales@adp-hq.com](mailto:Sales@adp-hq.com)

Excerpt taken from Analysis of Changes, NEC-2017



[Sales@adp-hq.com](mailto:Sales@adp-hq.com)

[Kory@adp-hq.com](mailto:Kory@adp-hq.com)

832-292-6696

1820 Red Bluff Rd, Ste A  
Pasadena, Tx 77506

# AUTOMATIC TRANSFER SWITCH

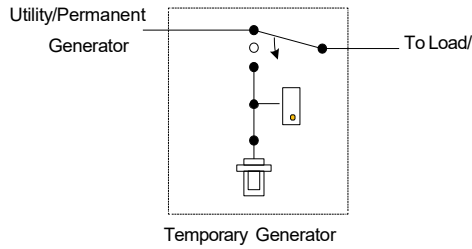
NEC 700.3



**ABSOLUTE DOMINION POWER**

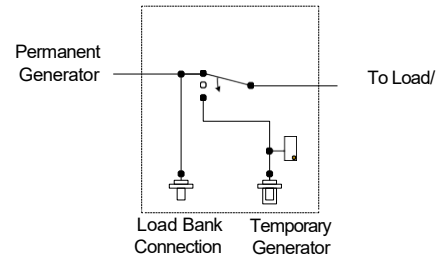
Manufacturer Authorized Distributor  
& Integrated System Provider

## P-ATS-1



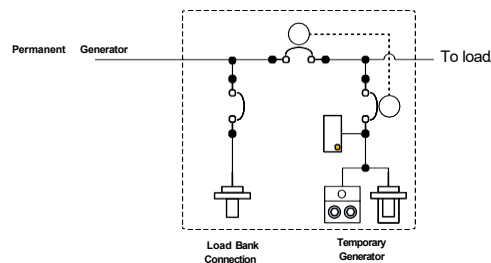
Base P-ATS with 3 position rotary to transfer between permanent and temporary source

## P-AMT



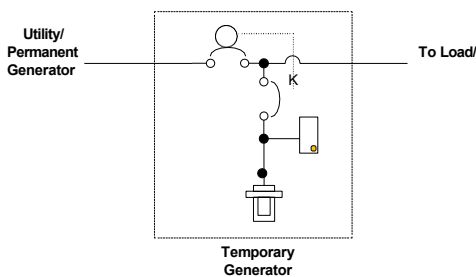
Dual purpose to allow load banking of permanent generator and connection of temporary source

## P-ATDS-3



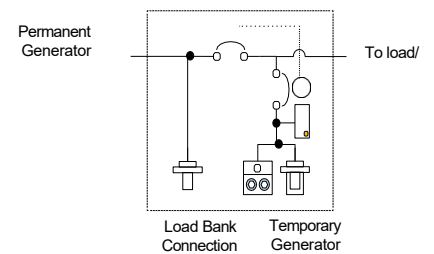
Dual Purpose with permanent generator, temporary generator and load bank overcurrent protection

## P-ATDS-4



Dual Interlocked Breakers between permanent and temporary generator

## P-ATDS-5



Dual purpose dual breaker with male & female camlocks to connect a load bank or temporary power source. Includes main breaker for the temporary load and permanent line connections.



[Sales@adp-hq.com](mailto:Sales@adp-hq.com)

[Kory@adp-hq.com](mailto:Kory@adp-hq.com)

832-292-6696

1820 Red Bluff Rd, Ste A  
Pasadena, Tx 77506

# AUTOMATIC TRANSFER SWITCH

## FEATURES AND OPTIONS



**ABSOLUTE DOMINION POWER**

Manufacturer Authorized Distributor  
& Integrated System Provider

### APPLICATION RANGE

- FT 100-400A Make-before-Break
- OT 100-1200A Break-before-Make
- MCCB 800-1200A Open T
- ACB 1200-4000A Open T
- Up To 600V

### STANDARD FEATURES

- Factory installed phase rotation monitor
- All aluminum NEMA 3R or stainless 4X construction
- 3 position rotary transfer switch (on-off-on) to safely transfer between permanent and temporary source
- Patented tamper-resistant rake system to prevent cable theft and unauthorized disconnection
- Industry standard 16 Series CamLok connections compatible with any rental generator or load bank



### AVAILABLE OPTIONS

- SER MAIN BREAKER OPTIONAL
- Strip heater & unit thermostat (375 Watt)
- Secondary convenience receptacles for added power options
- Patented solenoid safety interlock door to comply with NEC 702.12C
- Utility indicator lights
- Visit [trystar.com](http://trystar.com) for a full list of additional options and features

### LISTINGS

- Listed to UL 1008 standards
- UL 50 listed enclosure
- NEC 700.3F compliant by application
- NEC 702.12C compliant with safety interlock door adder

### SAMPLE INDUSTRIES



[Sales@adp-hq.com](mailto:Sales@adp-hq.com)  
[Kory@adp-hq.com](mailto:Kory@adp-hq.com)  
832-292-6696  
1820 Red Bluff Rd, Ste A  
Pasadena, Tx 77506

# MANUAL TRANSFER SWITCH

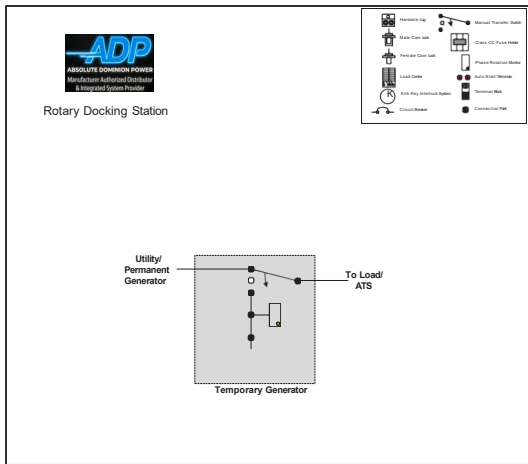
## Example One-line Diagrams



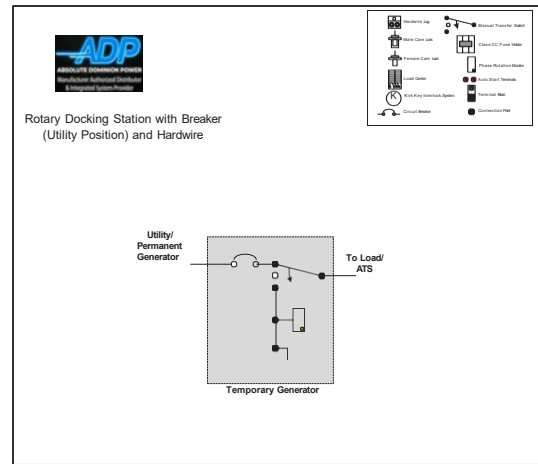
**ABSOLUTE DOMINION POWER**  
 Manufacturer Authorized Distributor  
 & Integrated System Provider

100A-4000A

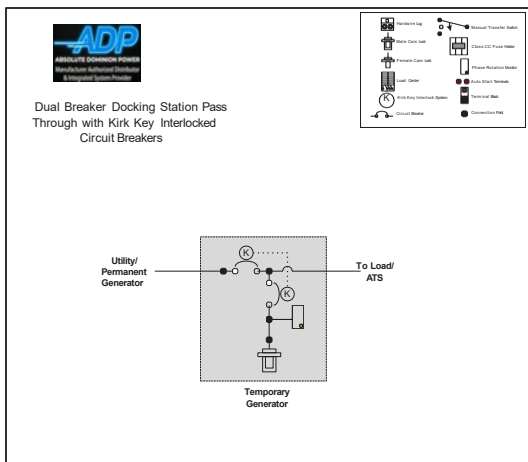
### P-MTS-1 up to 1200A



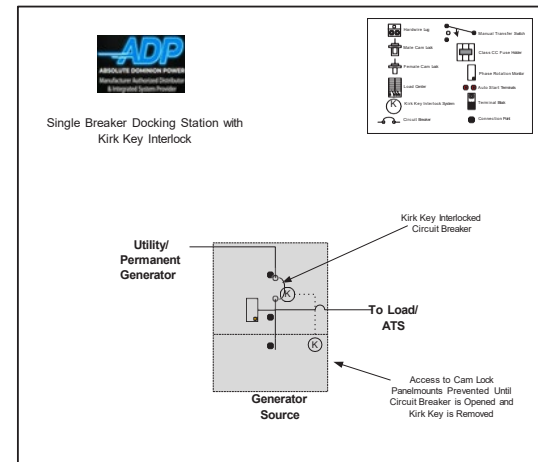
### P-MTS-2 up to 1200A



### P-DBDS-1



### P-SBDS-4



# MANUAL TRANSFER SWITCH

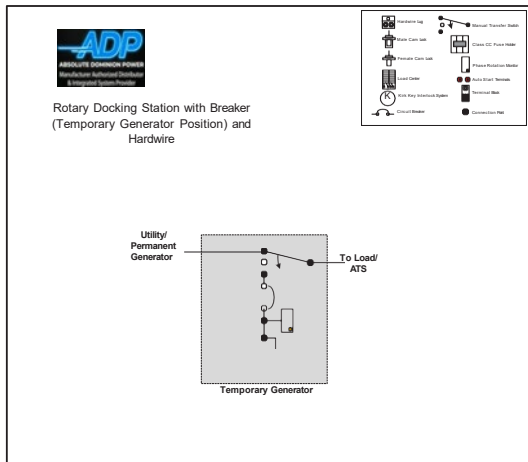
## Example One-line Diagrams



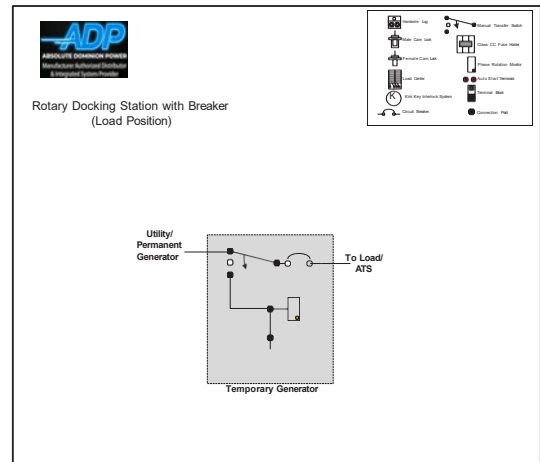
**ABSOLUTE DOMINION POWER**  
 Manufacturer Authorized Distributor  
 & Integrated System Provider

100A-4000A

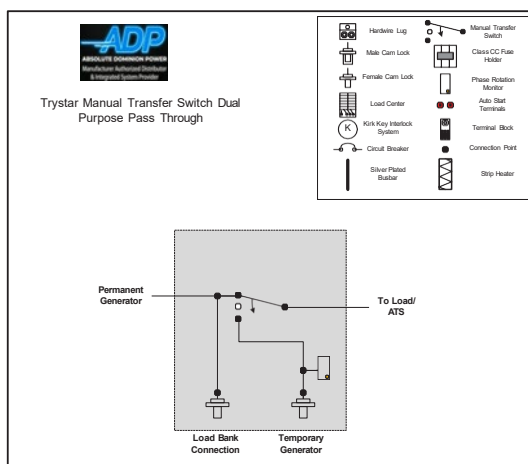
### P-MTS-3 up to 1200A



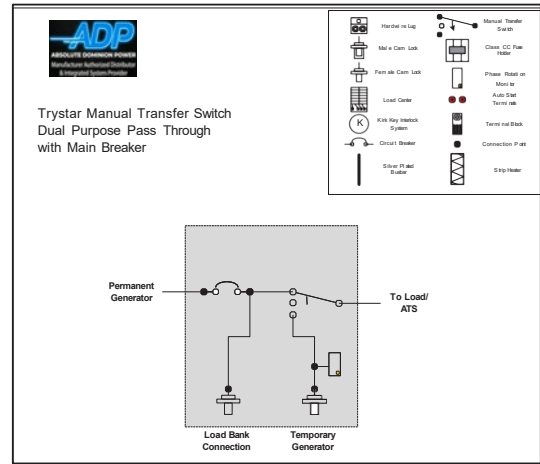
### P-MTS-4 up to 1200A



### P-MTS-5 up to 1200A



### P-MTS-6 up to 1200A



# MANUAL TRANSFER SWITCH

## P-MTS LINE

### INTEGRATE YOUR MANUAL TRANSFER SWITCH AND DOCKING STATION EQUIPMENT INTO A SINGLE TURNKEY INSTALLATION

With any emergency power system, the ability to safely transfer between normal and emergency power systems is critical to minimizing facility downtime and maintaining operational continuity. UL 1008 listed P-MTS product line features an integrated 3 Position Rotary Transfer Switch and Generator Docking Station connectivity in a single turn-key design to ensure your facility is ready to respond during the next outage. The flexible design of the P-MTS offers several configurations to seamlessly integrate into your facility's electrical infrastructure and allow the safe, fast, and legal connection of a temporary generator or load bank.

#### REDUCE TOTAL COST OF OWNERSHIP

- Integrating the Manual Transfer Switch and Docking Station into one piece of equipment significantly reduces installation costs. Less panel means smaller installation footprint saving valuable space on your facility.

#### IMPROVE EMERGENCY EQUIPMENT ROI:

- Camlok connections are designed for the repetitive use of temporary applications, eliminating the wear & tear on mechanical components, the number one cause of electrical failures.

#### MINIMIZE FACILITY DOWNTIME

- Eliminate the need for an electrician to install a temporary generator through our industry-standard Camlok connections.

#### MITIGATE OPERATIONAL SAFETY RISKS:

- Manual-on-off-on operation removes the risk of operation errors by preventing the interconnection or backfeeding of power sources.



**ABSOLUTE DOMINION POWER**

Manufacturer Authorized Distributor  
& Integrated System Provider



#### MAINTAIN BUSINESS CONTINUITY

Ensure your business is ready to respond and maintain operations during your next power outage by having the equipment in place to safely, legally, and quickly connect an emergency power source.

[Sales@adp-hq.com](mailto:Sales@adp-hq.com)  
[Kory@adp-hq.com](mailto:Kory@adp-hq.com)  
832-292-6696  
1820 Red Bluff Rd, Ste A  
Pasadena, Tx 77506

# MANUAL TRANSFER SWITCH

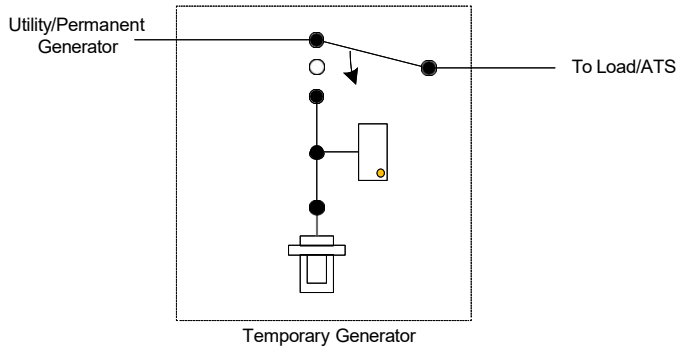
## ONE LINES



**ABSOLUTE DOMINION POWER**

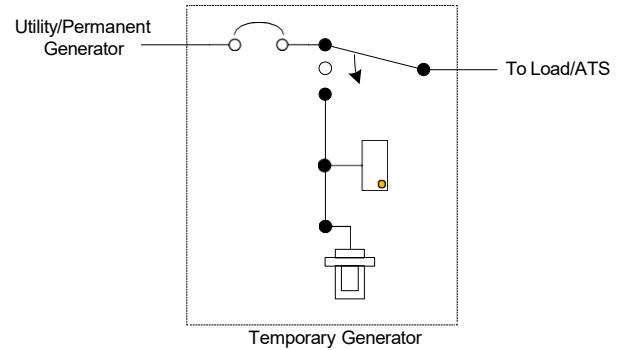
Manufacturer Authorized Distributor  
& Integrated System Provider

### P-MTS-1



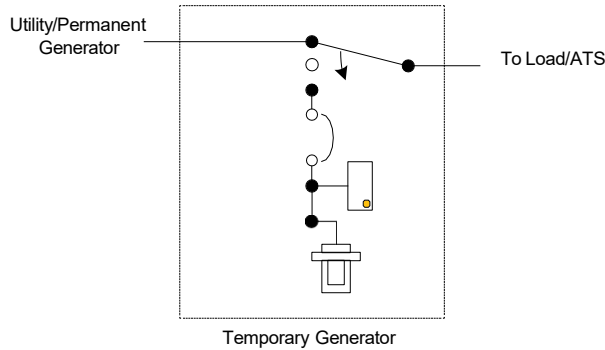
Base P-MTS with 3 position rotary to transfer between permanent and temporary source

### P-MTS-2



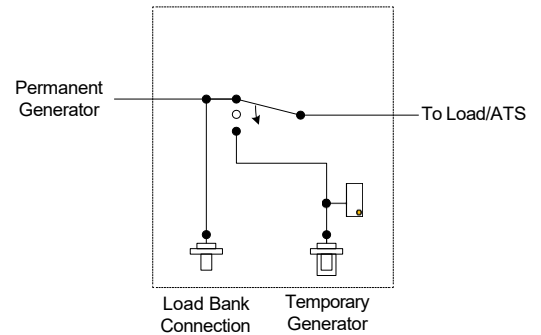
Service entrance rated P-MTS with 3 position rotary to transfer between utility and temporary source

### P-MTS-3



P-MTS with temporary generator breaker to allow transfer between permanent and temporary source

### P-MTS-4



Dual purpose to allow load banking of permanent generator and connection of temporary source

Hardware Lug	Load Center	Male Cam Lock	Female Cam Lock	Transfer Switch	Kirk Key Interlock System	Connection Point
Class CC Fuse Holder	Circuit Breaker	Phase Rotation Monitor	Auto Start Terminals	Terminal Block	Strip Heater	Silver Plated Busbar

[Sales@adp-hq.com](mailto:Sales@adp-hq.com)

[Kory@adp-hq.com](mailto:Kory@adp-hq.com)

832-292-6696

1820 Red Bluff Rd, Ste A  
Pasadena, Tx 77506

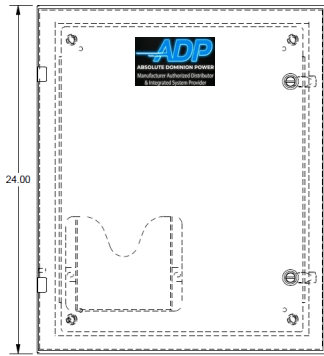
# MANUAL TRANSFER SWITCH

## DIMENSIONS



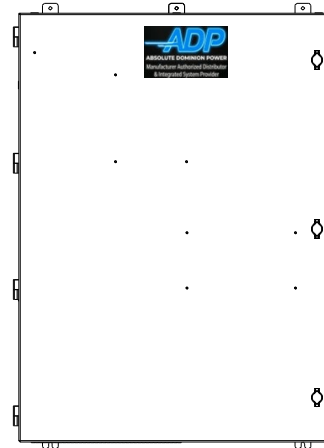
**ABSOLUTE DOMINION POWER**

Manufacturer Authorized Distributor  
& Integrated System Provider



FRONT VIEW

**Small**



**Medium**



TMTS Line	SMALL	MEDIUM
P-MTS-1	100-200A	600-800A
P-MTS-2	260-400A	
P-MTS-3		
P-MTS-4	100-400A	600-800A
Dimensions	24W X 12D X 24H	36W X 20D X 48H
	36W X 16D X 36H	36W X 20D X 60H
Approx. Weight	350lb	750lb

Sales@adp-hq.com  
Kory@adp-hq.com  
832-292-6696  
1820 Red Bluff Rd, Ste A  
Pasadena, Tx 77506

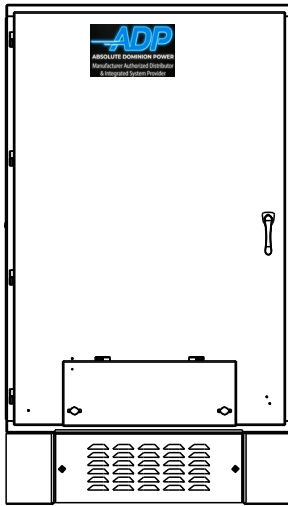
# MANUAL TRANSFER SWITCH

## DIMENSIONS

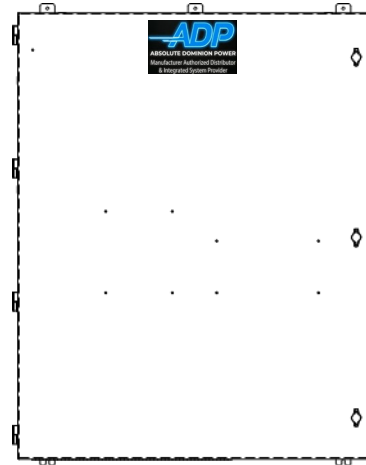


**ABSOLUTE DOMINION POWER**

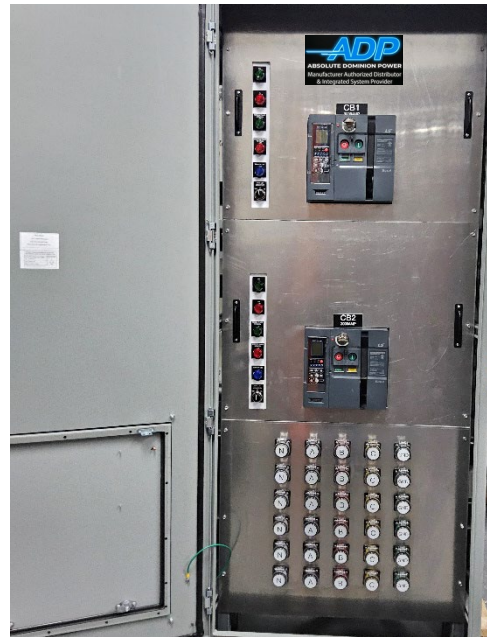
Manufacturer Authorized Distributor  
& Integrated System Provider



**Padmount**



**Large**



TMTS Line	Large	Padmount
P-MTS-1	800-1200A	800-1200A
P-MTS-2		
P-MTS-3		1200-4000A
P-MTS-4	400-800A	800-1200A
Dimensions	36W X 20D X 60H	42W X 36D X 90H
	36W X 36D X 90H	48W X 46D X 90H
Approx. Weight	350lb	750lb

Sales@adp-hq.com  
Kory@adp-hq.com  
832-292-6696  
1820 Red Bluff Rd, Ste A  
Pasadena, Tx 77506